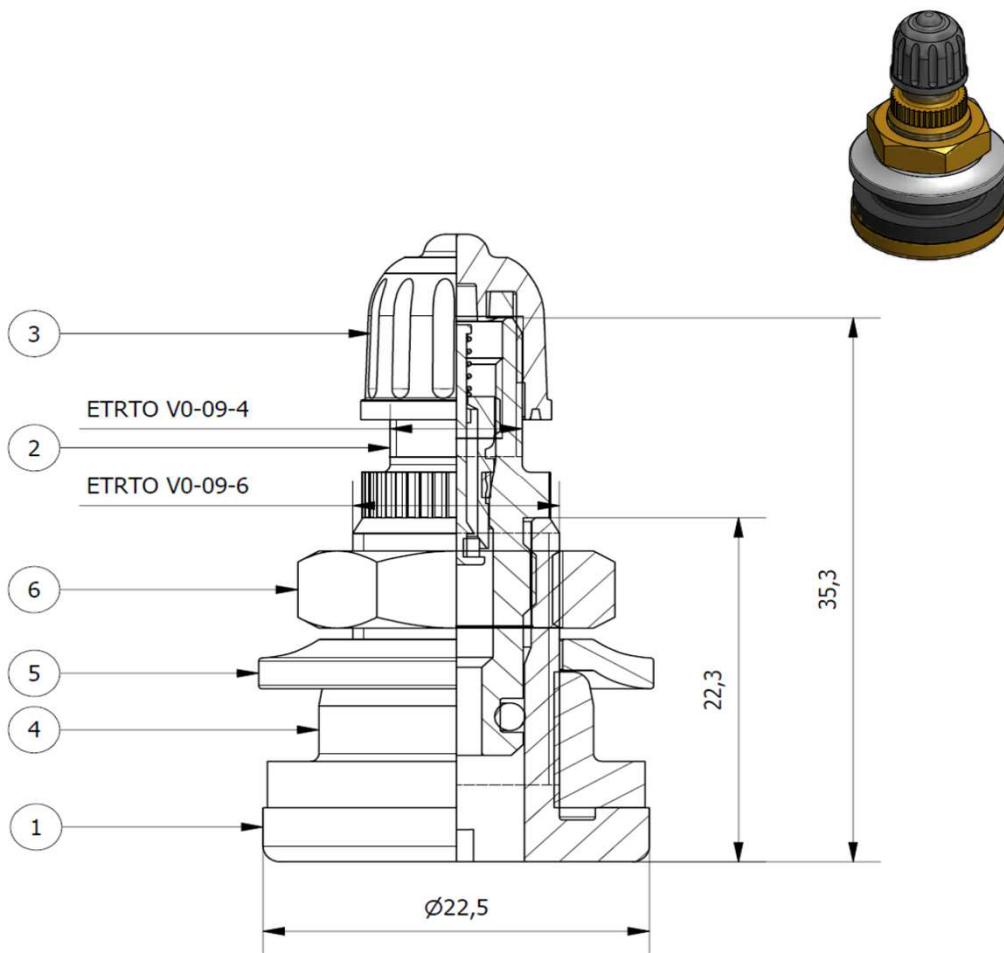


ARTICLE DESCRIPTION

TRAK 618/Fer : tubeless snap-in valve for air/water tyres for tractors with reduced length. Wonder code: 0584



BILL OF MATERIALS

Description	Material	Treatment
1) Valve body	CW614N brass	
2) Core housing	CW614N brass	
3) Sealing cap	PA 6.6	
4) Grommet	NBR	
5) Washer	AISI304	
6) Nut	CW614N brass	

TECHNICAL FEATURES

Valve hole diameter:	15,7 (+0,4; -0)
Max inflation pressure:	14 bar
Temperature range:	-40° ÷ +120°
Operating pressure	4,5 bar

INTERNATIONAL STANDARDS

--